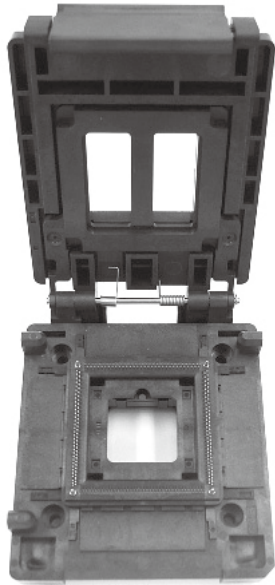
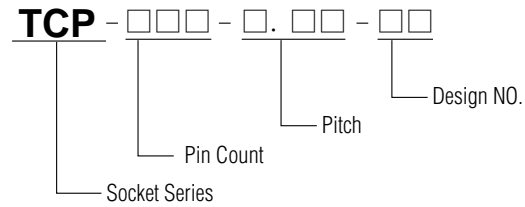


TCP

TAPE CARRIER PACKAGE



ORDERING PROCEDURE



SPECIFICATIONS

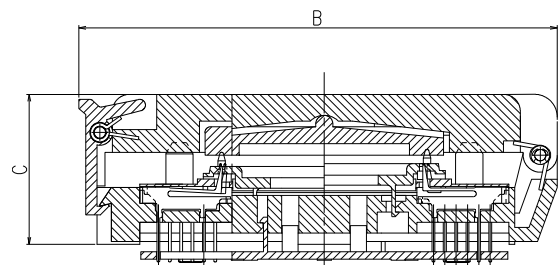
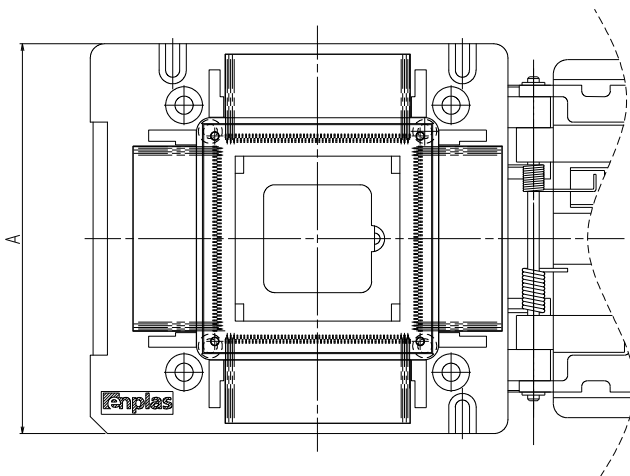
- Contact resistance: Initial 100m Ω (At 10 mA)
- Maximum voltage: AC700V RMS (for 1 minute)
(Below 0.5mm Pitch)
AC500V RMS (for 1 minute)
- Insulation resistance: 1,000M Ω or higher (AC DC 500V)
- Rated current: 1A
- Operating temperature range: -65°C ~ +150°C
- Terminal strength against pulling: 0.5kg (1 min)
- Insertion: Min. 10,000 times (mechanical)

MATERIAL

- Body: PEI, PES
- Contact: BeCu, Au plating (Ni-base)

※RoHS compliant

APPLICABLE IC DIMENSIONS & SOCKET DIMENSIONS



Applicable IC/TCP

CLAM SHELL TYPE SOCKET

Unit: mm (in.)

PART NO.	PIN COUNT	PITCH	OUTSIDE DIMENSIONS			REMARKS
			A	B	C	
TCP-159-0.2-01	159	0.2	40	70.5	15.8	48mm TAB
TCP4-436-0.3-001	436	0.3	55.9	68.6	26.4	48mm TAB
TCP3-244-0.4-01	244	0.4	58	50	20.5	35mm TAB
TCP4-324-0.4-01	324	0.4	55.85	63	25.6	48mm TAB