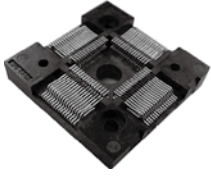
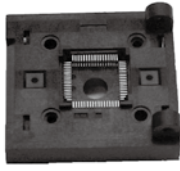


TEST SOCKET



G-type

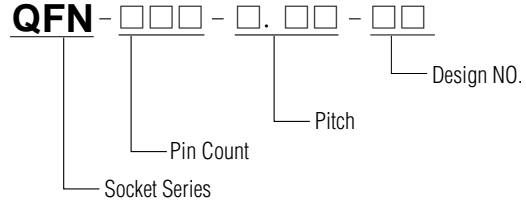


H-type

*G-Type is for gravity handler.
*H-Type is for horizontal handler.

※RoHS compliant

ORDERING PROCEDURE



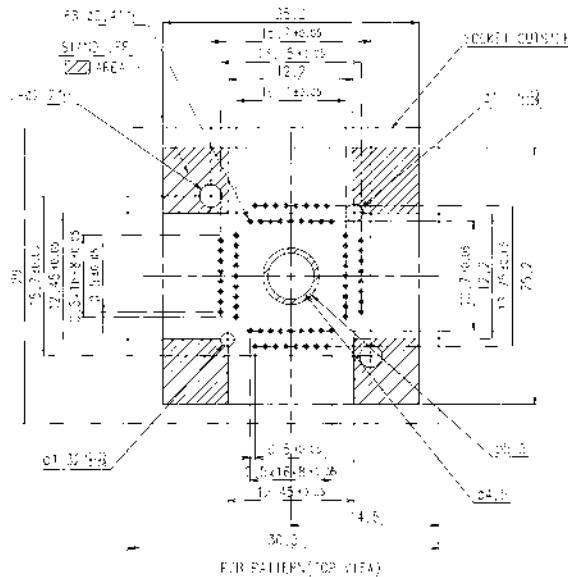
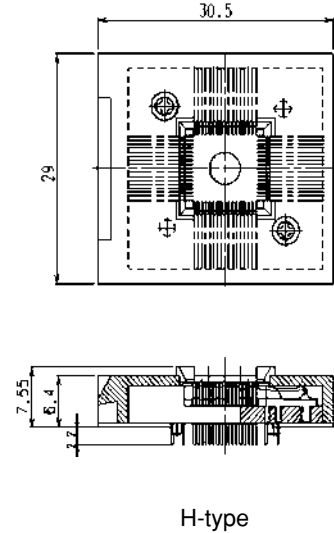
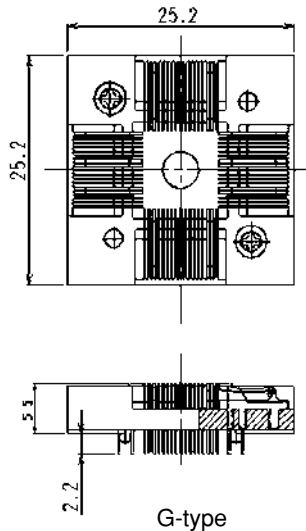
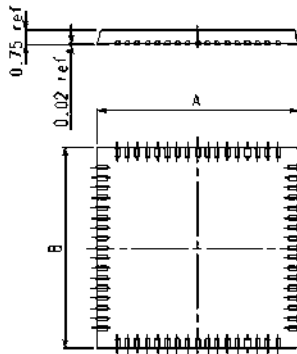
SPECIFICATIONS

Contact resistance: Initial 50mΩ or less (At :10mA)
 Maximum voltage: AC500V RMS (for :1minute)
 Insulation resistance: :1,000mΩ or higher (At DC 500V)
 Operating temperature range: -65° C ~ +150° C
 Terminal strength against pulling: 0.5kg(:1min)
 Insertion: Min.:10,000 cycle(Mechanical)

MATERIAL

Body: PEI,PES
 Contact: BeCu, Au plating (Ni-base)

APPLICABLE IC DIMENSIONS & SOCKET DIMENSIONS



QFN-68H-0.5-02

Quad fine pitch no lead

QFN Socket Line up 0.5mm Pitch Series

PART NO.	PKG Size(A×B)	PIN COUNT	PIN COUNT PER SIDE	Type
QFN-8(24)G-0.5-*	2×3	8	4(2 Sides)	G
QFN-8(24)H-0.5-*				H
QFN-8(24)G-0.5-*	3×3	8	2	G
QFN-8(24)H-0.5-*				H
QFN-10(20)G-0.5-*	3×3	10	5(2 Sides)	G
QFN-10(20)H-0.5-004				H
QFN-12(20)G-0.5-*	3×3	12	3	G
QFN-12(20)H-0.5-*				H
QFN-12(20)G-0.5-*	4×4	12	3	G
QFN-12(20)H-0.5-*				H
QFN-12(24)G-0.5-*	4×4	12	6(2 Sides)	G
QFN-12(24)H-0.5-*				H
QFN-16(24)G-0.5-*	3×3	16	4	G
QFN-16(24)H-0.5-*				H
QFN-16(24)G-0.5-*	4×4	16	4	G
QFN-16(24)H-0.5-*				H
QFN-16(40)G-0.5-*	5×5	16	4	G
QFN-16(40)H-0.5-*				H
QFN-20G-0.5-*	4×4	20	5	G
QFN-20H-0.5-*				H
QFN-20(36)G-0.5-*	5×5	20	5	G
QFN-20(36)H-0.5-*				H
QFN-24G-0.5-*	4×4	24	6	G
QFN-24H-0.5-*				H
QFN-28(36)G-0.5-*	5×5	28	7	G
QFN-28(36)H-0.5-04				H
QFN-32(40)G-0.5-02	5×5	32	8	G
QFN-32(40)H-0.5-01				H
QFN-32(40)G-0.5-*	6×6	32	8	G
QFN-32(40)H-0.5-*				H
QFN-36G-0.5-*	6×6	36	9	G
QFN-36H-0.5-03				H
QFN-40G-0.5-01	6×6	40	10	G
QFN-40H-0.5-01				H
QFN-44(52)G-0.5-*	7×7	44	11	G
QFN-44(52)H-0.5-003				H
QFN-44(68)G-0.5-*	9×9	44	11	G
QFN-44(68)H-0.5-*				H
QFN-48(56)G-0.5-*	7×7	48	12	G
QFN-48(56)H-0.5-*				H
QFN-52G-0.5-*	8×8	52	13	G
QFN-52H-0.5-*				H
QFN-56G-0.5-*	8×8	56	14	G
QFN-56H-0.5-02				H
QFN-64G-0.5-01	9×9	64	16	G
QFN-64H-0.5-02				H
QFN-64G-0.5-01	10×10	64	16	G
QFN-64H-0.5-*				H
QFN-68G-0.5-01	10×10	68	17	G
QFN-68H-0.5-02				H

QFN Socket Line up 0.65mm Pitch Series

PART NO.	PKG Size(A×B)	PIN COUNT	PIN COUNT PER SIDE	Type
QFN-8(16)G-0.65-*	3×3	8	2	G
QFN-8(16)H-0.65-*				H
QFN-8(24)G-0.65-*	5×5	8	2	G
QFN-8(24)H-0.65-*				H
QFN-12G-0.65-*	3×3	12	3	G
QFN-12H-0.65-*				H
QFN-16G-0.65-*	4×4	16	4	G
QFN-16H-0.65-*				H
QFN-20(28)G-0.65-*	5×5	20	5	G
QFN-20(28)H-0.65-003				H
QFN-28G-0.65-*	6×6	28	7	G
QFN-28H-0.65-001				H
QFN-32(40)G-0.65-01	7×7	32	8	G
QFN-32(40)H-0.65-003				H
QFN-44G-0.65-*	8×8	44	11	G
QFN-44H-0.65-*				H
QFN-44(52)G-0.65-*	9×9	44	11	G
QFN-44(52)H-0.65-*				H
QFN-52G-0.65-*	10×10	52	13	G
QFN-52H-0.65-*				H

Type G Gravity Handler
H Horizontal Handler