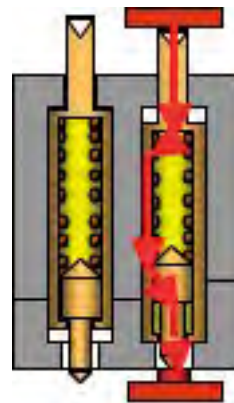
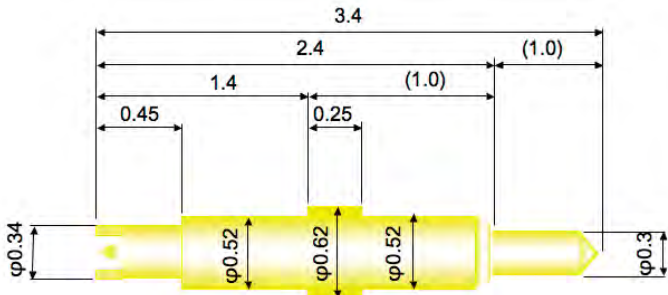


- To achieve cost reduction of Probe Pin
- The short pass structure enables to have the same level of contact resistance with Probe Pin.
- RoHS compliant



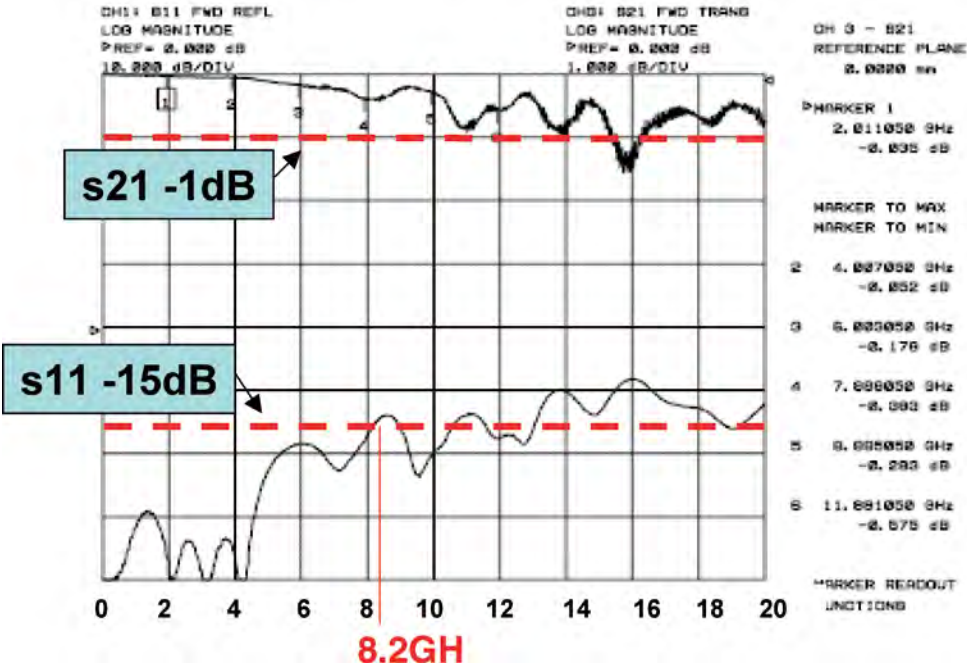
Low Cost Probe(LCP)

◆ BGAT-3.3CL-0.8-002-01



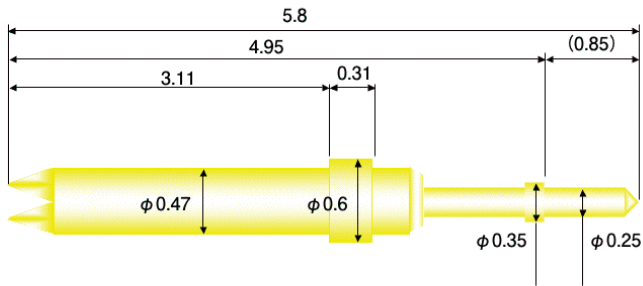
Specification	
-Total Pin Length	3.4mm
-Operating Pin Length	2.9mm
-Pitch	0.8~1.0mm
- Operating(at 2.9mm)	32.6gf
-Insertion (Mecanical)	200,000cycle
-Operating Temperature	-55 to +125°C
-Contact Resistance	150mΩ
Material & Plating	
-Curling	BeCu-Au Plating
-Plunger	BeCu-Au Plating
-Spring	SWP-Au Plating

Insertion Loss & Return Loss



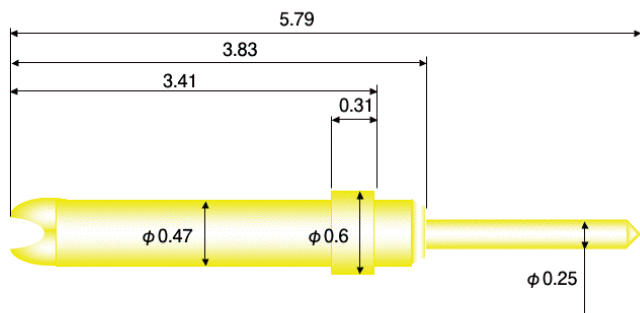
Low Cost Probe(LCP)

◆ BGA-1936C-1.0-01-10



Specification	
-Total Pin Length	5.8mm
-Operating Pin Length	5.08mm
-Pitch	0.8~1.0mm
- Operating(at 5.08mm)	25gf
-Insertion (Mecanical)	200,000cycle
-Operating Temperature	-55 to +150°C
-Contact Resistance	150mΩ
Material & Plating	
-Curling	BeCu-Au Plating
-Plunger	BeCu-Au Plating
-Spring	SUS-Au Plating

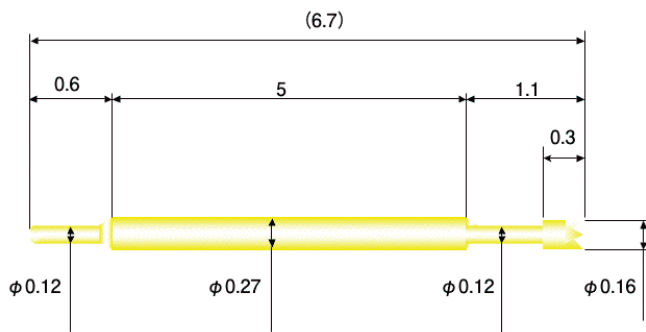
◆ LGA-1936C-1.0-01-01



Specification	
-Total Pin Length	5.7mm
-Operating Pin Length	4.98mm
-Pitch	0.8~1.0mm
- Operating(at 4.98mm)	30gf
-Insertion (Mecanical)	200,000cycle
-Operating Temperature	-55 to +150°C
-Contact Resistance	150mΩ
Material & Plating	
-Curling	BeCu-Au Plating
-Plunger	BeCu-Au Plating
-Spring	SUS-Au Plating

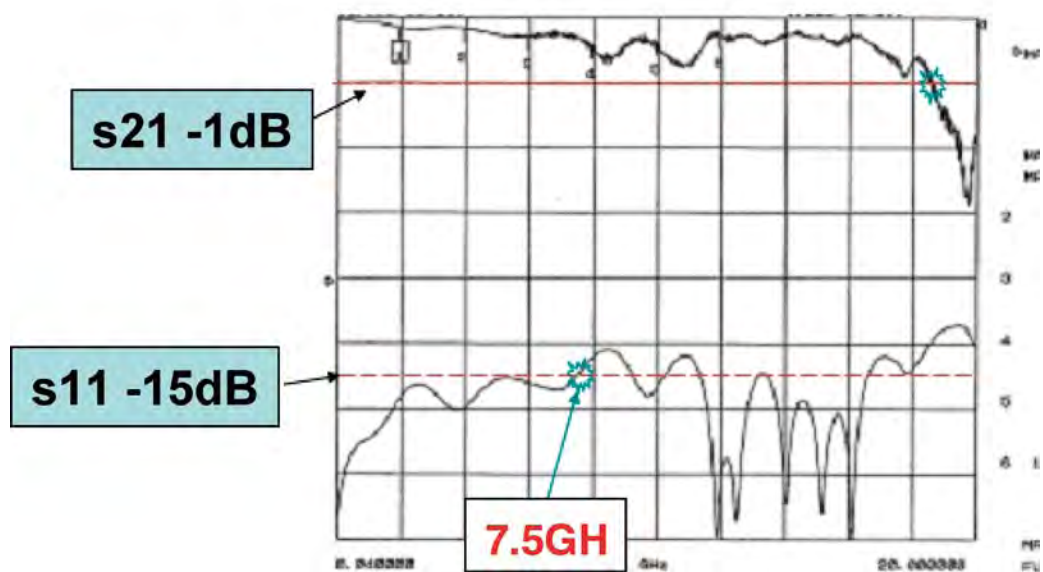
PROBE PIN

◆ BGAT-260-0.37-01-20



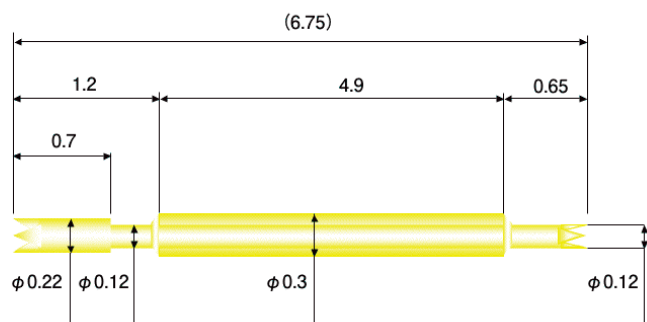
Specification	
-Total Pin Length	6.7mm
-Operating Pin Length	6.2mm
-Pitch	0.4mm
- Operating(at 5.05mm)	20gf
-Insertion (Mechanical)	200,000cycle
-Operating Temperature	-55 to +125°C
-Contact Resistance	100mΩ
Material & Plating	
-Plunger	BeCu-Au Plating
-Barell	Bs-Au Plating
-Spring	SWP-Au Plating

Insertion Loss & Return Loss



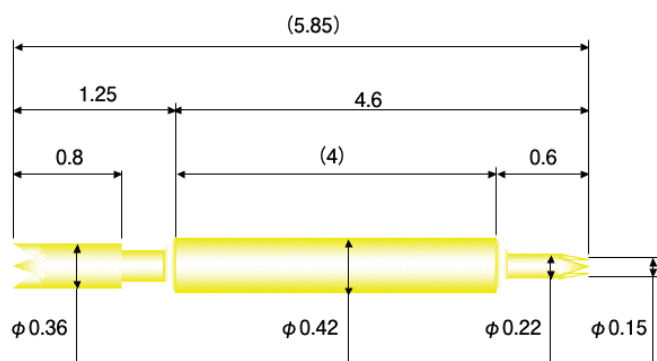
PROBE PIN TYPE

◆ BGAT-6.75PR-0.4-001-10



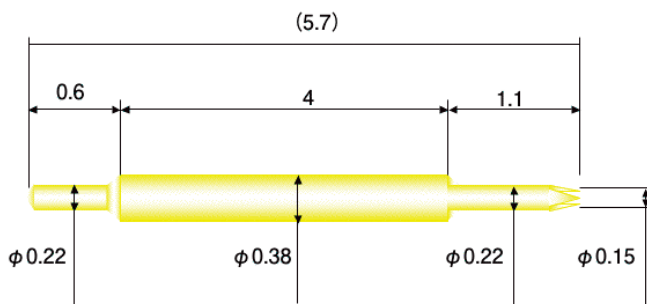
Specification	
-Total Pin Length	6.75mm
-Operating Pin Length	6.3mm
-Pitch	0.4mm
- Operating(at 6.3mm)	20gf
-Insertion (Mecanical)	500,000cycle
-Operating Temperature	-55 to +150°C
-Contact Resistance	100m Ω
Material & Plating	
-Plunger	BeCu-Au Plating
-Barell	Bs-Au Plating
-Spring	SUS

◆ BGAT-5.85PR-0.5-001-01



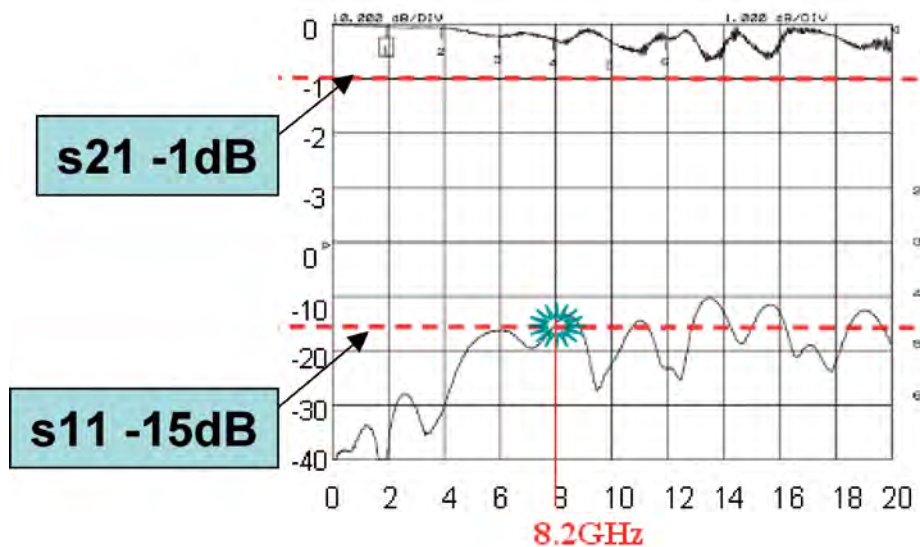
Specification	
-Total Pin Length	5.85mm
-Operating Pin Length	5.3mm
-Pitch	0.5mm
- Operating(at 5.3mm)	25gf
-Insertion (Mecanical)	500,000cycle
-Operating Temperature	-55 to +150°C
-Contact Resistance	100m Ω
Material & Plating	
-Plunger	BeCu-Au Plating
-Barell	Bs-Au Plating
-Spring	SUS

◆ BGA-256-0.5-02-01



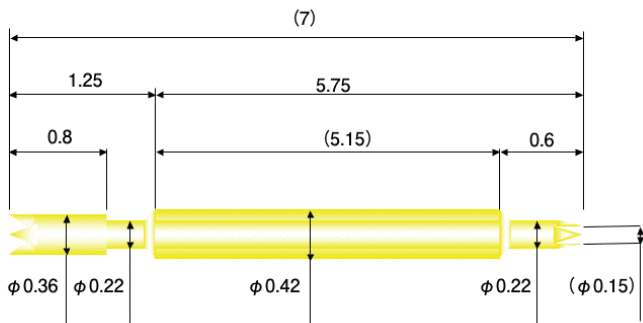
Specification	
-Total Pin Length	5.7mm
-Operating Pin Length	5.05mm
-Pitch	0.5~0.65mm
- Operating(at 5.05mm)	22gf
-Insertion (Mecanical)	200,000cycle
-Operating Temperature	-55 to +125°C
-Contact Resistance	100mΩ
Material & Plating	
-Plunger	BeCu-Au Plating
-Barell	Bs-Au Plating
-Spring	SWP-Au Plating

Insertion Loss & Return Loss



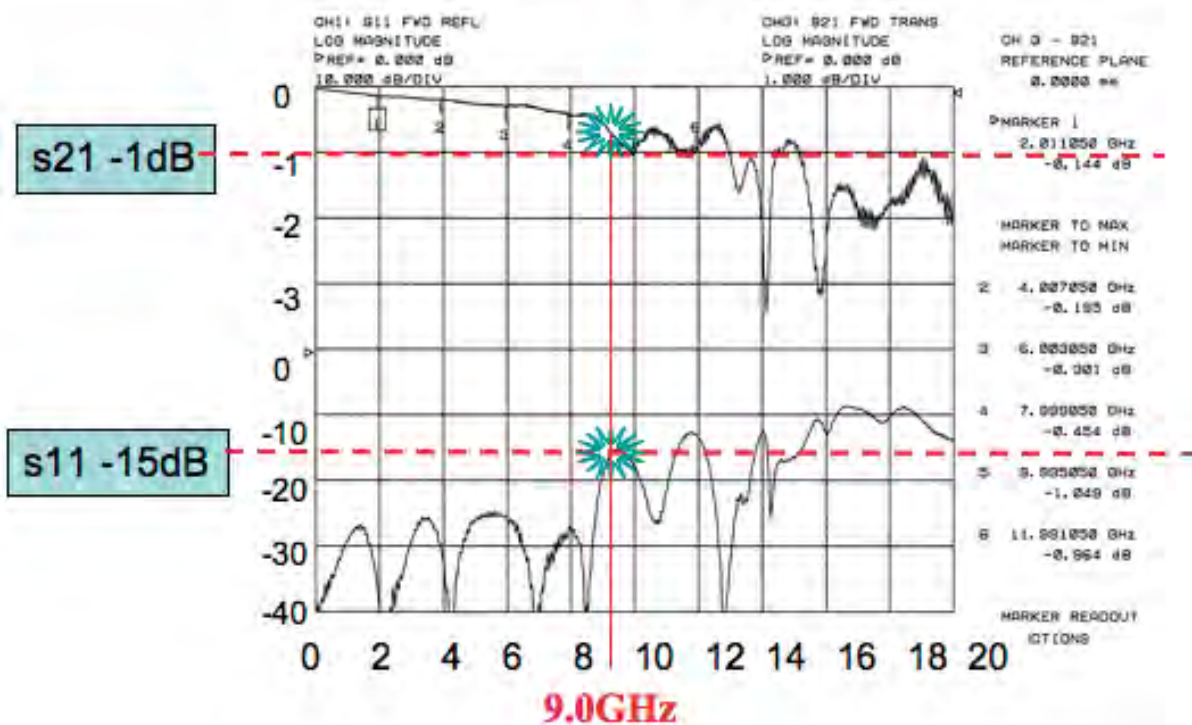
PROBE PIN TYPE

◆ BGAT-7PR-0.5-003-01



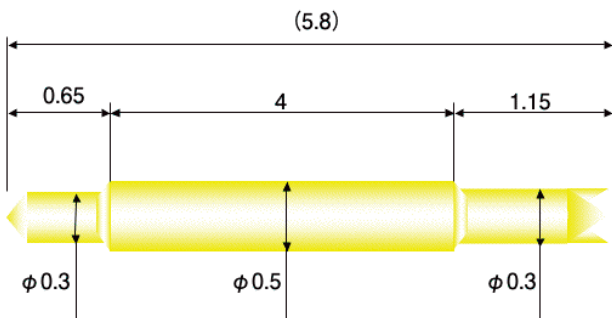
Specification	
-Total Pin Length	7mm
-Operating Pin Length	6.45mm
-Pitch	0.5mm
- Operating(at 6.45mm)	30gf
-Insertion (Mecanical)	500,000cycle
-Operating Temperature	-55 to +150°C
-Contact Resistance	100mΩ
Material & Plating	
-Plunger	BeCu-Au Plating
-Barell	Bs-Au Plating
-Spring	SUS

Insertion Loss & Return Loss



PROBE PIN TYPE

◆ BGA-48-0.75-01-03



Specification	
-Total Pin Length	5.8mm
-Operating Pin Length	5.15mm
-Pitch	0.65~1.27mm
- Operating(at 5.05mm)	25gf
-Insertion (Mechanical)	200,000cycle
-Operating Temperature	-55 to +125°C
-Contact Resistance	100mΩ
Material & Plating	
-Plunger	BeCu-Au Plating
-Barell	Bs-Au Plating
-Spring	SWP-Au Plating

TEST SOCKET

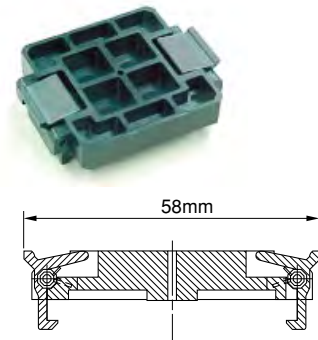
PROBE PIN TYPE

- Flexible Design
- Minimize Cost
- Quick Turn Around

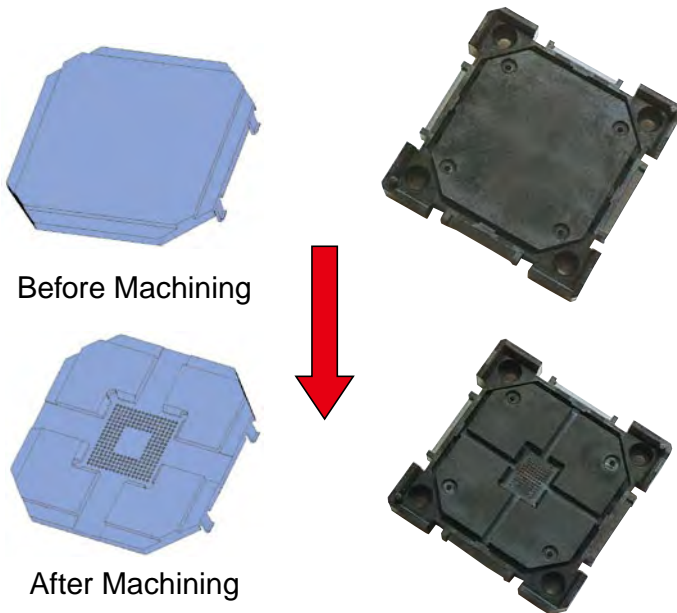
Blank Socket

- Applicable Package:
 - Max. Device Body Size: 31 × 31
 - Pkg. Type: BGA, CSP, LGA
 - Pitch: 0.5~1.27mm

Cover for Manual Test



Example of Blank Socket



Applicable Probe Pins for Blank Socket

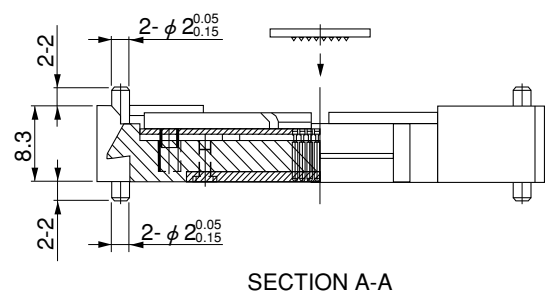
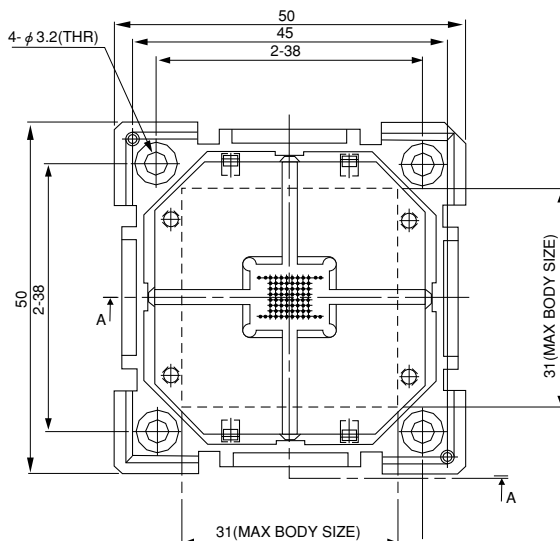


5.7mm for 0.5mm pitch



5.8mm for 0.8mm pitch

Concept Drawing

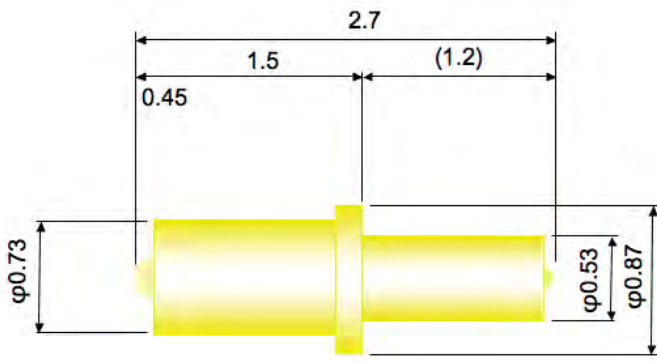


PROBE PIN

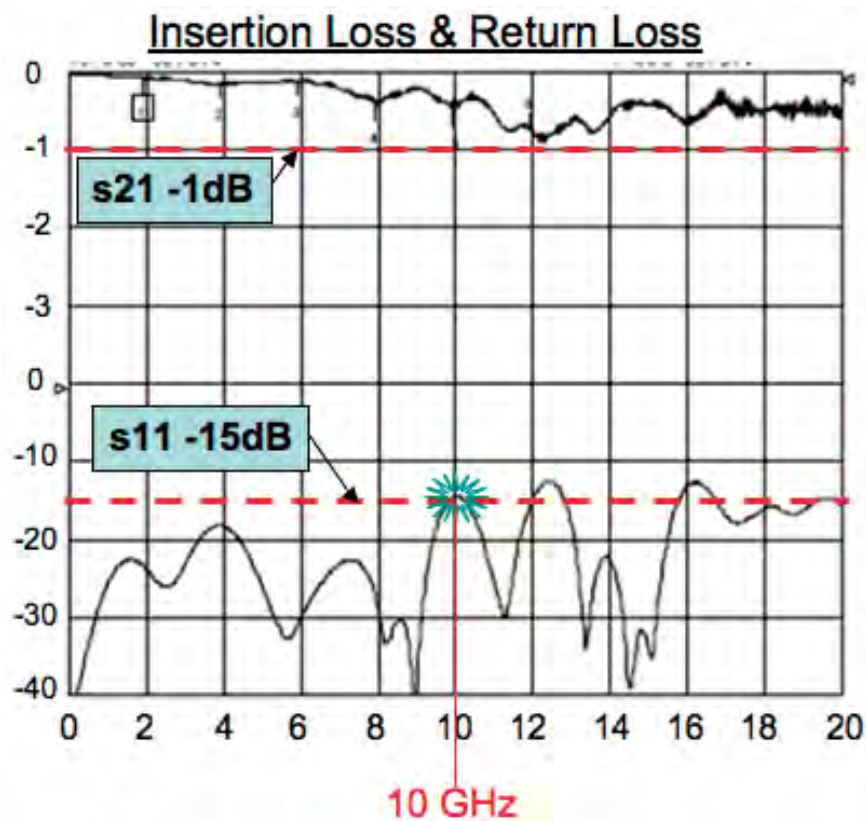
Short Length Type

PROBE PIN TYPE

◆ LGAT-2.7CC-1.0-001-01

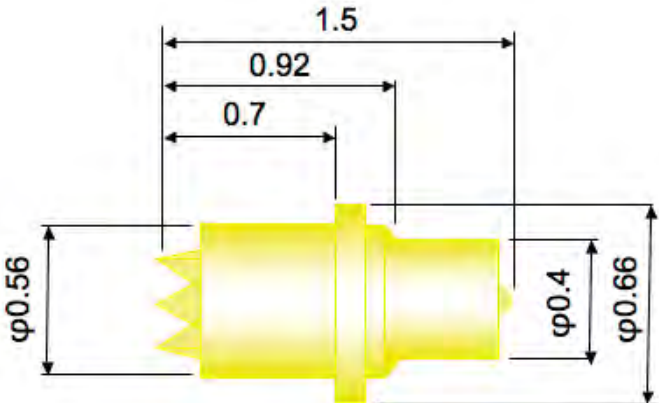


Specification	
-Total Pin Length	2.7mm
-Operating Pin Length	2.0mm
-Pitch	1.0mm
- Operating(at 1.1mm)	21gf
-Insertion (Mecanical)	200,000cycle
-Operating Temperature	-55 to +125°C
-Contact Resistance	50m Ω
Material & Plating	
-Plunger	Brass-Au Plating
-Spring	SUS-Au Plating



Short Length Type

◆ BGAT-1.5CC-0.8-001-01



Specification	
-Total Pin Length	1.5mm
-Operating Pin Length	1.1mm
-Pitch	0.8mm
- Operating(at 1.1mm)	25gf
-Insertion (Mechanical)	250,000cycle
-Operating Temperature	-55 to +125°C
-Contact Resistance	50mΩ
Material & Plating	
-Plunger	BeCu-Au Plating
-Spring	SWP-Au Plating

Insertion Loss & Return Loss

